

# VD-SE type Compact(1000~5000L) Vacuum Distillation Equipment



VD-2000SE(Integration) type



VD-1000SE type



Branch piping



Boiling state  
inside the kettle



Two-point liquor meter

High vacuum, High-efficiency condenser,

Split type receiving tank and good cleanability

Automatic distillation temperature control (optional) enables stable distillation operation. The use of a shell and tube type for the condenser has dramatically improved efficiency and good cleanability. It is especially effective in "mash distillation". Since the design safety factor is high, there is no reinforcement ring of the kettle as is usually seen (excludes 5000L), and it is difficult to get dirty. By low-temperature distillation (40°C or less) with high vacuum, we can produce a more refreshing shochu without a burning smell. Atmospheric distillation is possible with a few additional options. We have a wide variety from 50L test machines to large machines of 10,000 lits or more.

### Short description

Since it is distilled under reduced pressure (-0.09Mpa), it boils at a low temperature of 40°C or less, and shochu with a magnificent flavor without burning smell or oil can be obtained with a simple operation. The operation time is 4 hours after the start of distillation (including preparation, etc.), and for example, about 400 liters of shochu of 37 degrees or more can be obtained on average from 15 degrees Celsius (VD-1000 model). If a higher alcohol content (45% or more) is required, it can be produced by redistillation. By attaching a partition plate to the inside of the receiving tank, it is possible to separate Head, Tail and Heart, and it does not take up much space. The carving ratio can be changed in advance (standard is 3:2). The simple design makes it easy to clean both inside and outside, and it is highly functional and low-cost. If the demister is made of copper, it can be catalyzed to create a mellowness (optional). We also provide various information on enzyme utilization technology and refrigeration filtration after distillation.

### Versatile options

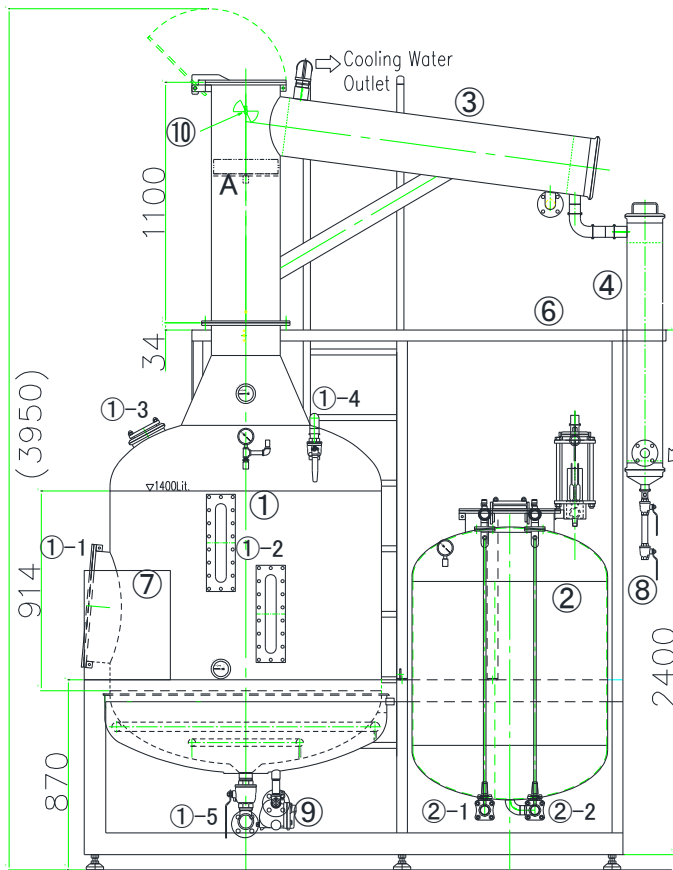
- Variable pressure reduction mechanism by inverter (the degree of decompression can be changed freely) → In other words, distillation is possible at the target temperature range
- Atmospheric distillation is also possible (live steam blowing nozzle, degassing)
- Mash distillation is also possible (rotary cleaning nozzle, mesh demister)
- Cooling water savings: Cooling tower and circulation pump
- Evaporative connecting pipes and condensation are made of copper (Appearance & Catalysis)
- Vacuum degree analog control (using high-precision pressure sensor)
- A wide range of liquor can be tested with two types of liquor meters of 0~30° / 30~60°
- Liquor Meter Branch Plumbing
- Automatic control of the steam valve for programmatic control of the liquid temperature
- Attach a stirrer (for highly viscous liquids) to the evaporation kettle
- Attaching fillings such as Raschig rings and bubble cap trays to the evaporation column to increase the return effect (Upper photo)

# Vacuum distillation equipment VD-SE type

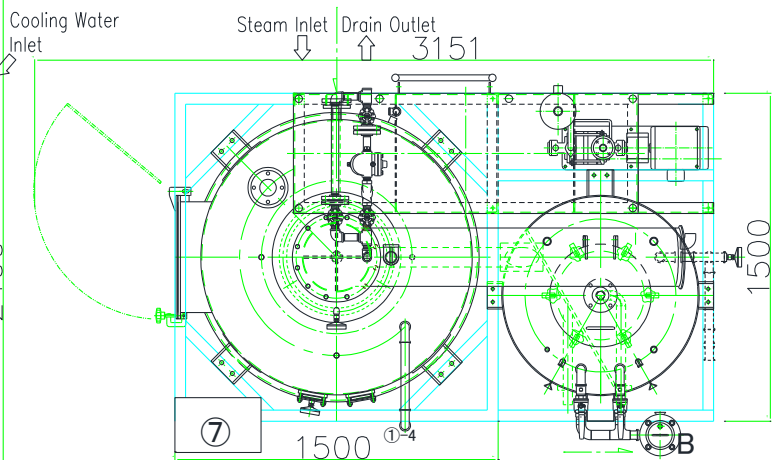
- \* We will also make custom models other than standard sizes
- \* Both the first and second condensers use a shell and tube type, which has excellent cleanability and efficiency
- \* Turbofans has been installed in the condenser to improve thermal efficiency (removal is done by simply pulling it out)
- \* All models can be fractionated (Head, Heart, and Tails)
- \* We can also handle special specifications (material, heating method, repatriation/purification, etc.)



VD-5000 type



No.	Name	Materials	Qty.	No.	Name	Materials	Qty.
①	Distillation Kettle	SUS304	1	④	Second Condenser	SUS304	1
①-1	Manhole (φ400)	SUS304	1	⑤	Vacuum Pump		1
①-2	Viewing Window		1	⑥	Work trestle	SS400	1
①-3	Light Window		1	⑦	the Control panel		1
①-4	Undiluted Inlet		1	⑧	Sample Cock		1
①-5	Waste Outlet		1	⑨	Drain Trap		1
②	Receiving Vessel 250L	SUS304	1	⑩	Shower Nozzle	SUS304	3
②-1	Product(Head,Tail) Outlet		1	~Optional Accessories~			
②-2	Product(Heart) Outlet		1	A	Wire Mesh Demister	COPPER	1
③	First Condenser	SUS304	1	B	Liquor Meter		1



## ◆ Summary

Specifications/Model (SE type)	VD-1000	VD-2000	VD-3000	VD-4000	VD-5000
Throughput(L/1time)	1000	2000	3000	4000	5000
Steam(kg/h)	150	300	450	600	750
Power Consumption(kW 200V)	1.5	2.2	3.7	5.5	5.5
Cooling water(ton/h)(below 15°C)	2.7	5.3	7.8	12	14.5
External dimensions	3150*1500*3950H	4300*1700*4400H	4800*1900*4800H	5100*2000*5100H	5500*2500*5500H

● Due to product improvement, there is a possibility of specification change without notice.

● Design/Production/Distributor

**Yokoyama Engineering Co., Ltd.**

〒452-0822 Nakaotai 3-247, Nishi-ku, Nagoya-shi, Aichi Japan

Tel:052-505-5911 Fax:052-505-5915

Email:sakefor@gmail.com Url:Yokoyama-Eng.com

● Agency